

LED 09228 white 5mm short 60°
Water Clear 5000mcd



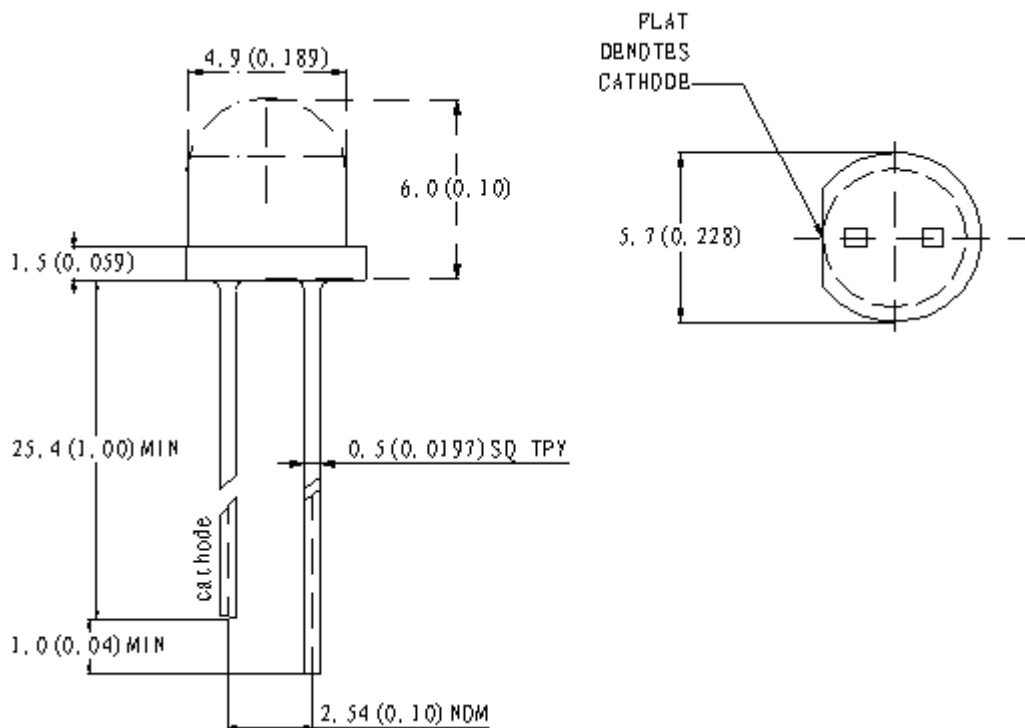
ImpoluX

DATA SHEET

Features :

- **Pb free product—RoHS compliant**
- **Low power consumption,High efficiency**
- **Wide viewing angle, High intensity**
- **I.C. compatible/low current requirement**
- **Versatile mounting on p.c. board or pannel**
- **General purpose leads**

Package Dimension:



Notes:

- 1.All dimensions are in millimeters .
- 2.Tolerance is ± 0.20 mm unless otherwise noted.
- 3.Protruded resin under flange is 1.0mm max
- 4.Lead spacing is measured where the leads emerge from the package.
5. Caution in ESD:

Static Electricity and surge damages the LED. It is recommend to use a wrist band or anti-electrostatic glove when handling the LED. All devices, equipment and machinery must be properly grounded.



ImpoluX

Absolute Maximum Ratings at Ta=25°C

Parameter	MAX.	Unit
Power Dissipation	100	mW
Peak Forward Current (1/10 Duty Cycle, 0.1ms Pulse Width)	150	mA
Continuous Forward Current	30	mA
Derating Linear From 50°C	0.4	mA/°C
Reverse Voltage	5	V
Operating Temperature Range	-40°C to +85°C	
Storage Temperature Range	-40°C to +105°C	
Lead Soldering Temperature [4mm(.157") From Body]	260°C for 5 Seconds	

Electrical Optical Characteristics at Ta=25°C

Parameter	Symbol	Min.	Typ.	Max.	Unit	Test Condition
Luminous Intensity	Iv	4000	---	6000	mcd	If=20mA (Note 1)
Viewing Angle	2θ	---	70	---	Deg	(Note 2)
$x = \frac{X}{X+Y+Z} = \frac{Red}{Red+Green+Blue}$	x	---	0.27	---	---	If=20mA (Note 3)
$y = \frac{Y}{X+Y+Z} = \frac{Green}{Red+Green+Blue}$	y	---	0.28	---	---	If=20mA (Note 3)
Forward Voltage	VF	3.0	---	3.4	V	If=20mA
Reverse Current	IR	---	---	10	μA	VR=5V

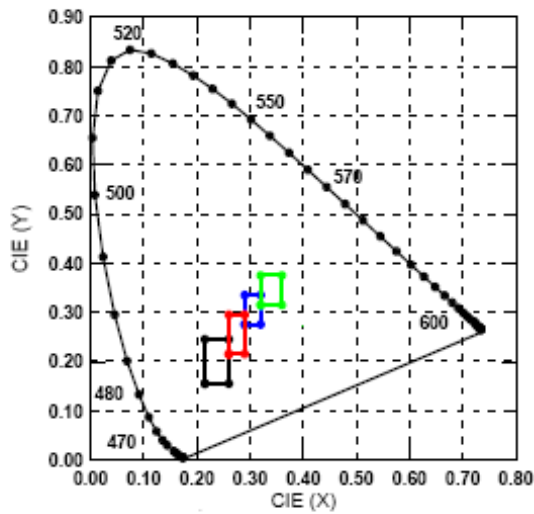
Note:

1. Luminous intensity is measured with a light sensor and filter combination that approximates the CIE eye-response curve.
2. $\theta_{1/2}$ is the off-axis angle at which the luminous intensity is half the axial luminous intensity.
3. It use many parameters that correspond to the CIE 1931 2°. X, Y, and Z are CIE 1931 2° values of Red, Green and Blue content of the measurement.

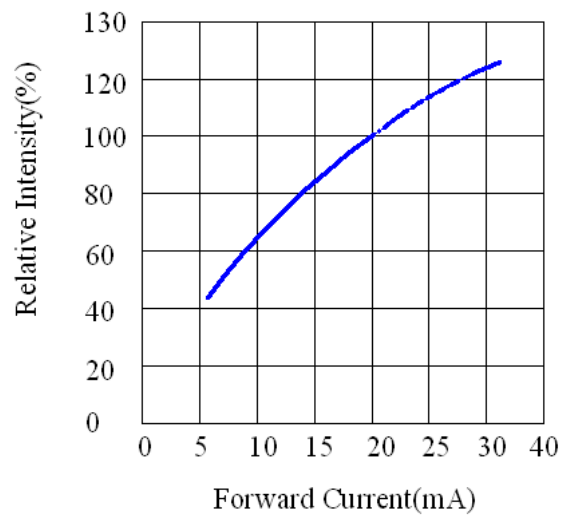


ImpoluX

Typical Electrical / Optical Characteristics Curves (25°C Ambient Temperature Unless Otherwise Noted)



Relative Intensity vs. Forward Current



Forward Voltage vs. Forward Current

